

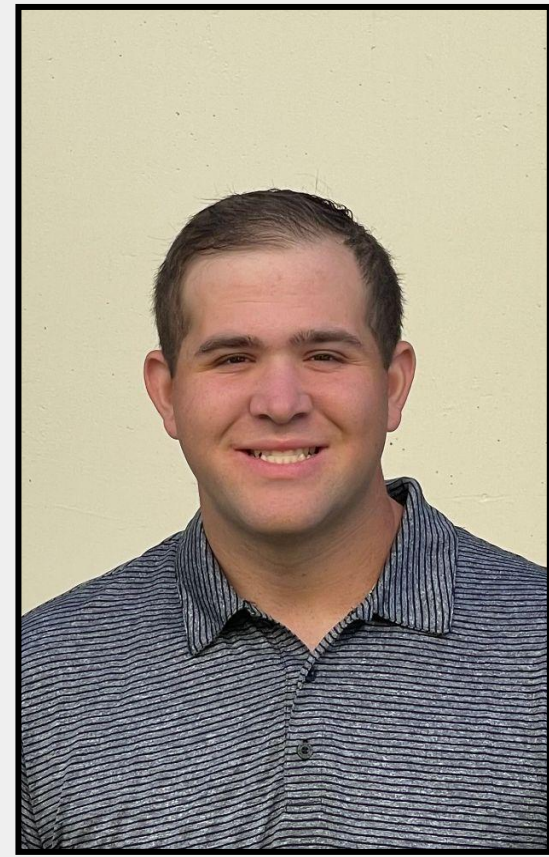
The Team



Alyssandra Steier
Team Lead



Milos Skrbic
Design & Manufacturing



Nicholas Gabrielson
Analysis & Design



Jesus Flores
Research & Procurement

Meet the Sponsor

Dr. Asfaw Beyene received his Ph.D. in Aeronautics and Power Engineering from Warsaw University of Technology. He joined the faculty of SDSU in 1989. His research focuses on energy systems: renewables, efficient power sources with emphasis on combined heat and power applications, cycle and energy analyses, mathematical modeling, and simulation.

Acknowledgements

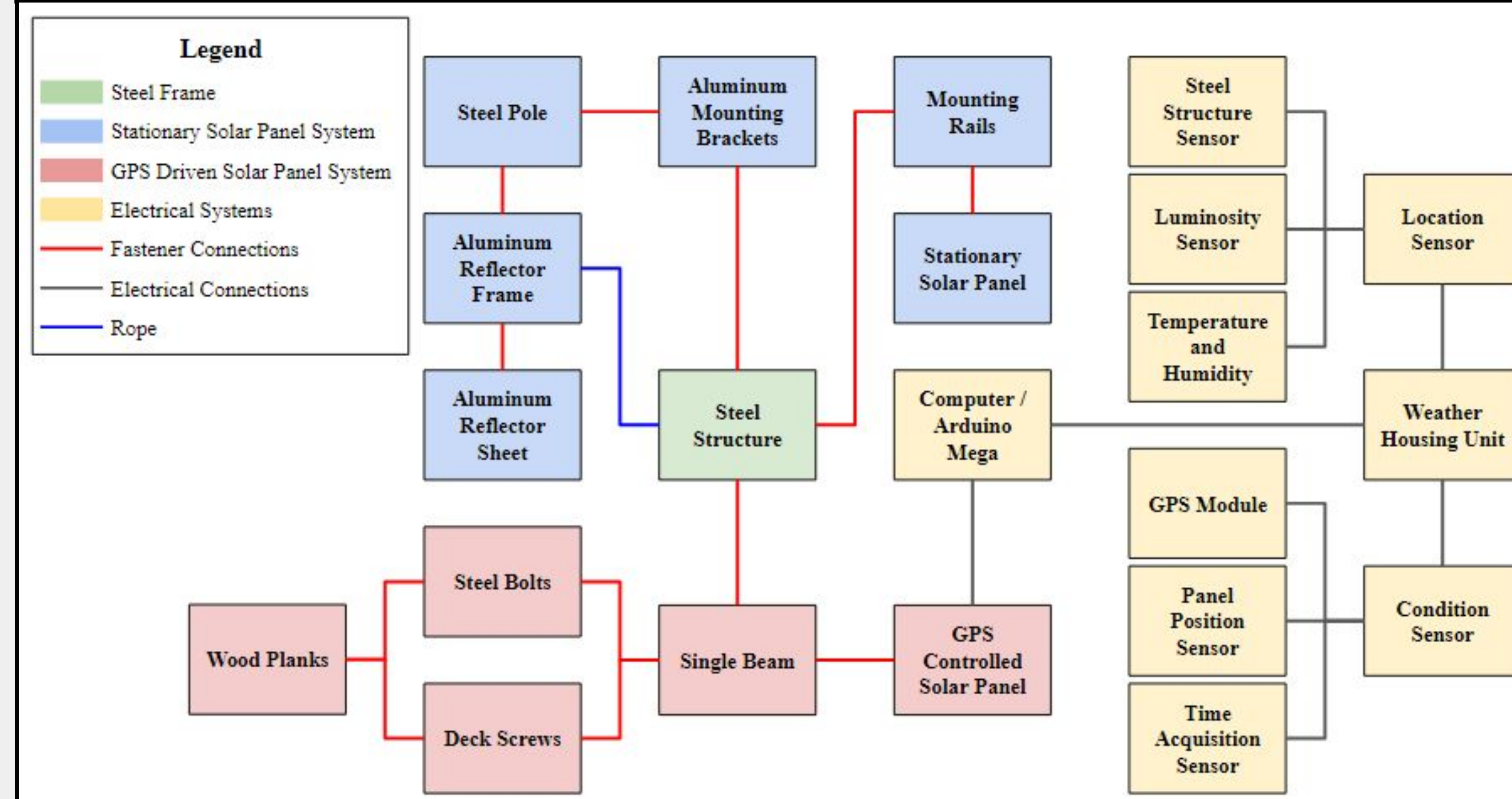
Our team would like to thank Dr. Asfaw Beyene for sponsoring this project as well as Dr. Scott Shaffar for advising. We would also like to thank Michael Lester for aiding in the manufacturing process and Greg Morris for aiding with the assembly.

Project Overview

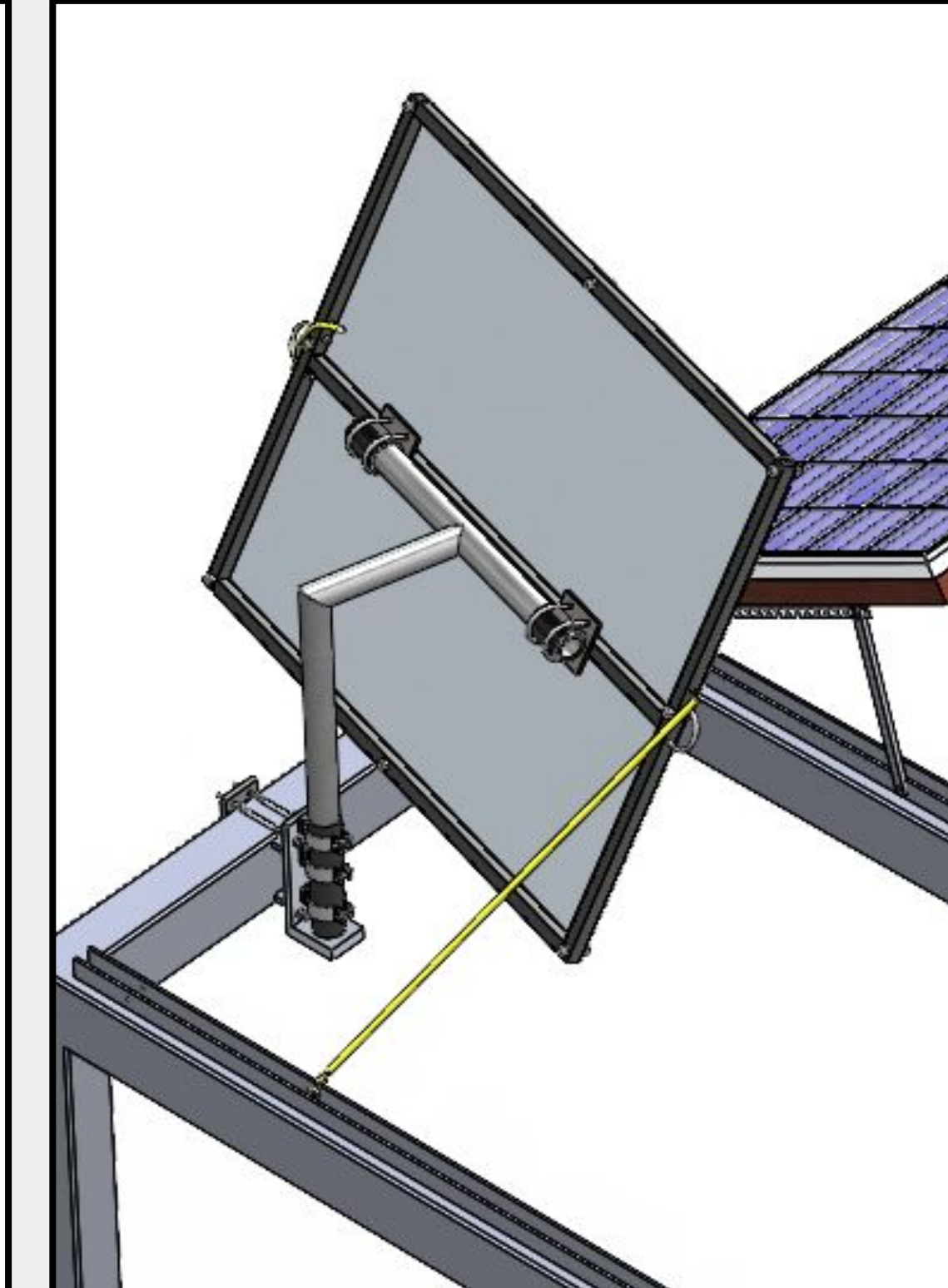
Objective: Within this project, we will design and test a fixed solar panel with a reflective mirror system to make solar energy capture less dependent on angles and space availability between the peak hours of 1400 - 1800. The results of this system will be compared to the GPS-driven system currently installed on the EIS roof, which was built from previous senior design teams.

Deliverables: The key deliverables of this project include Solidworks models, analysis data, comparative results, test data, the final report, and presentation files.

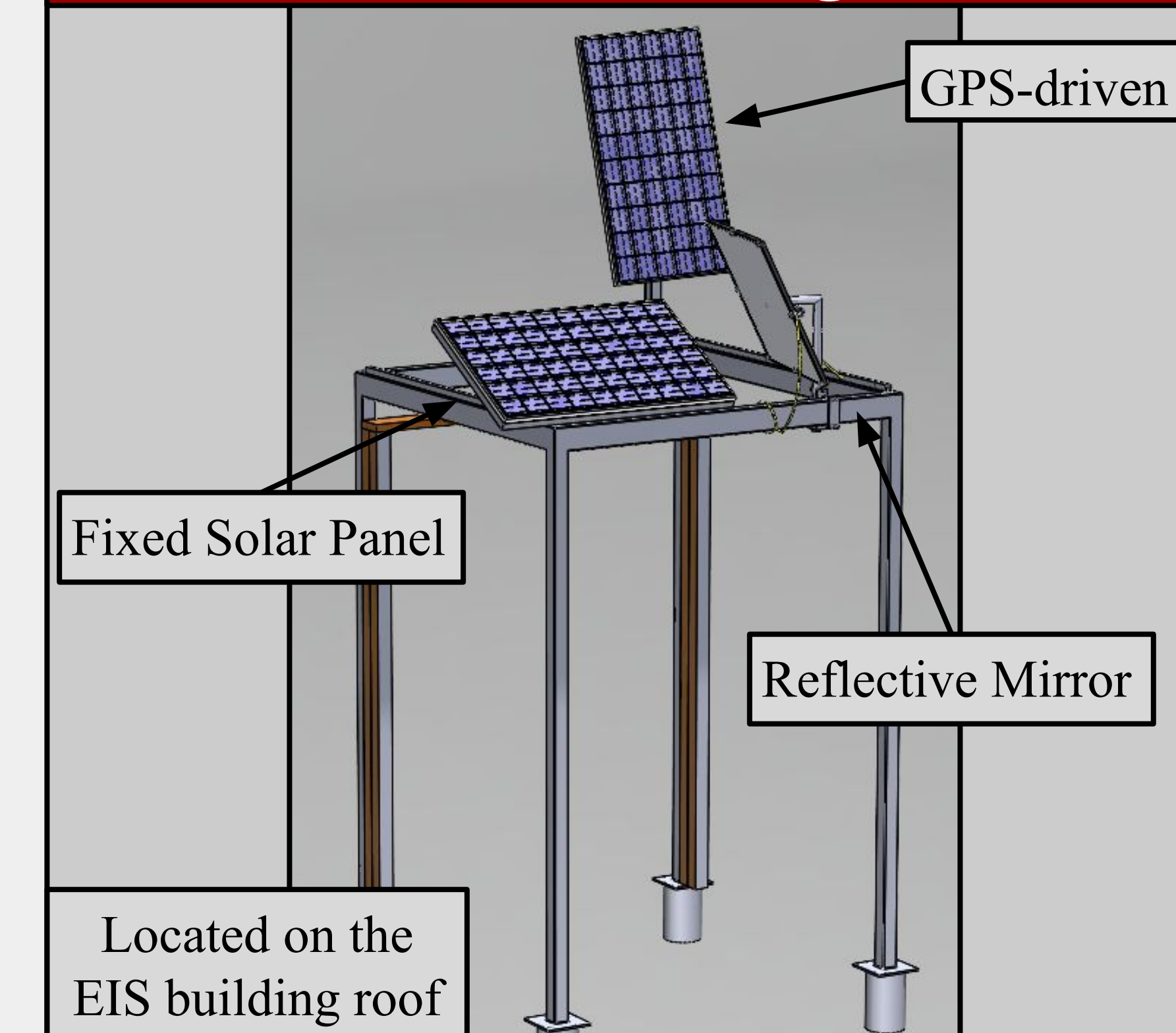
System Level Diagram



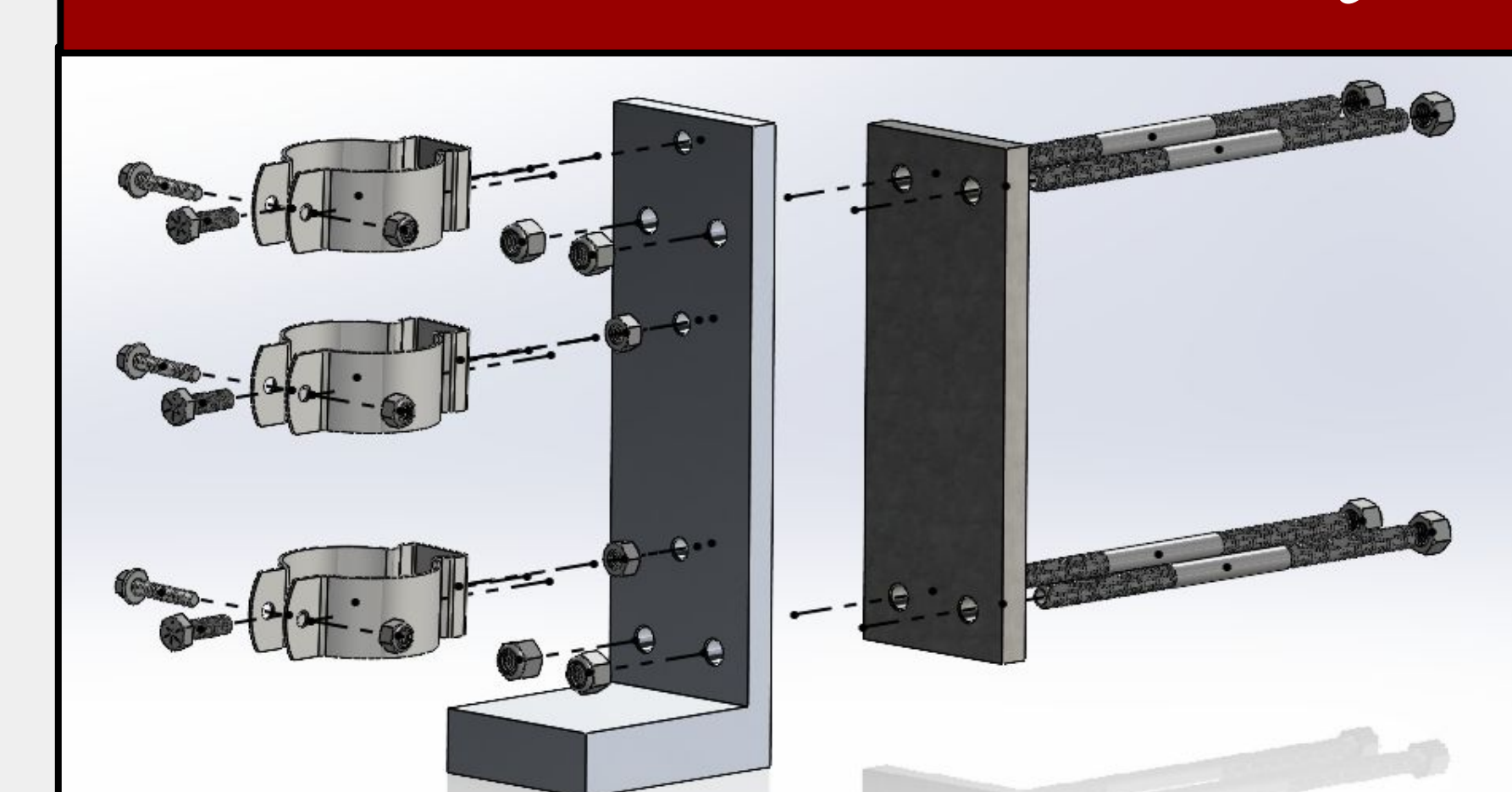
Full Assembly



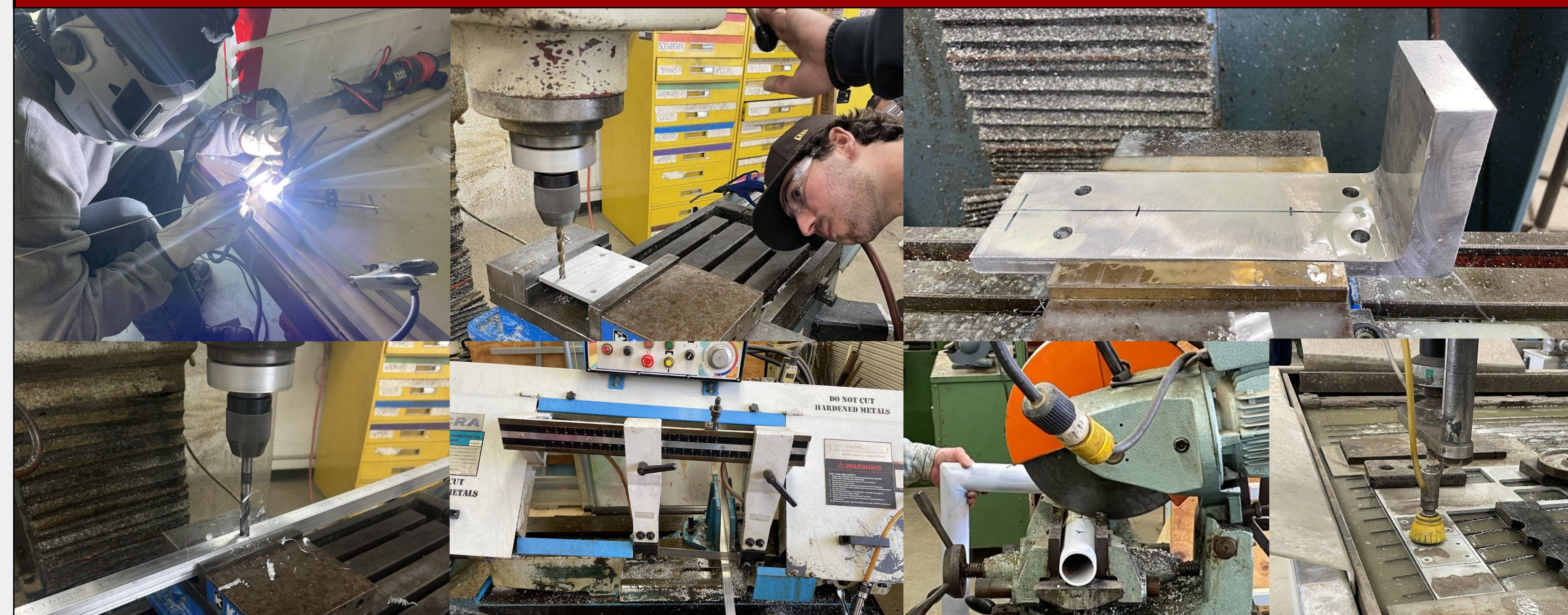
Final Design



L-Bracket Assembly



Manufacturing



L-Bracket Analysis

