



Meet the Team

Christopher Martin
Procurement & Safety Engineer

Kyle Collins
Team Leader
Project Manager

Phummin Rotphan
ME Quality Engineer

Brandon Lipscomb
ME Design Engineer
Lead

Grace Fraser
Manufacturing Engineer
Lead

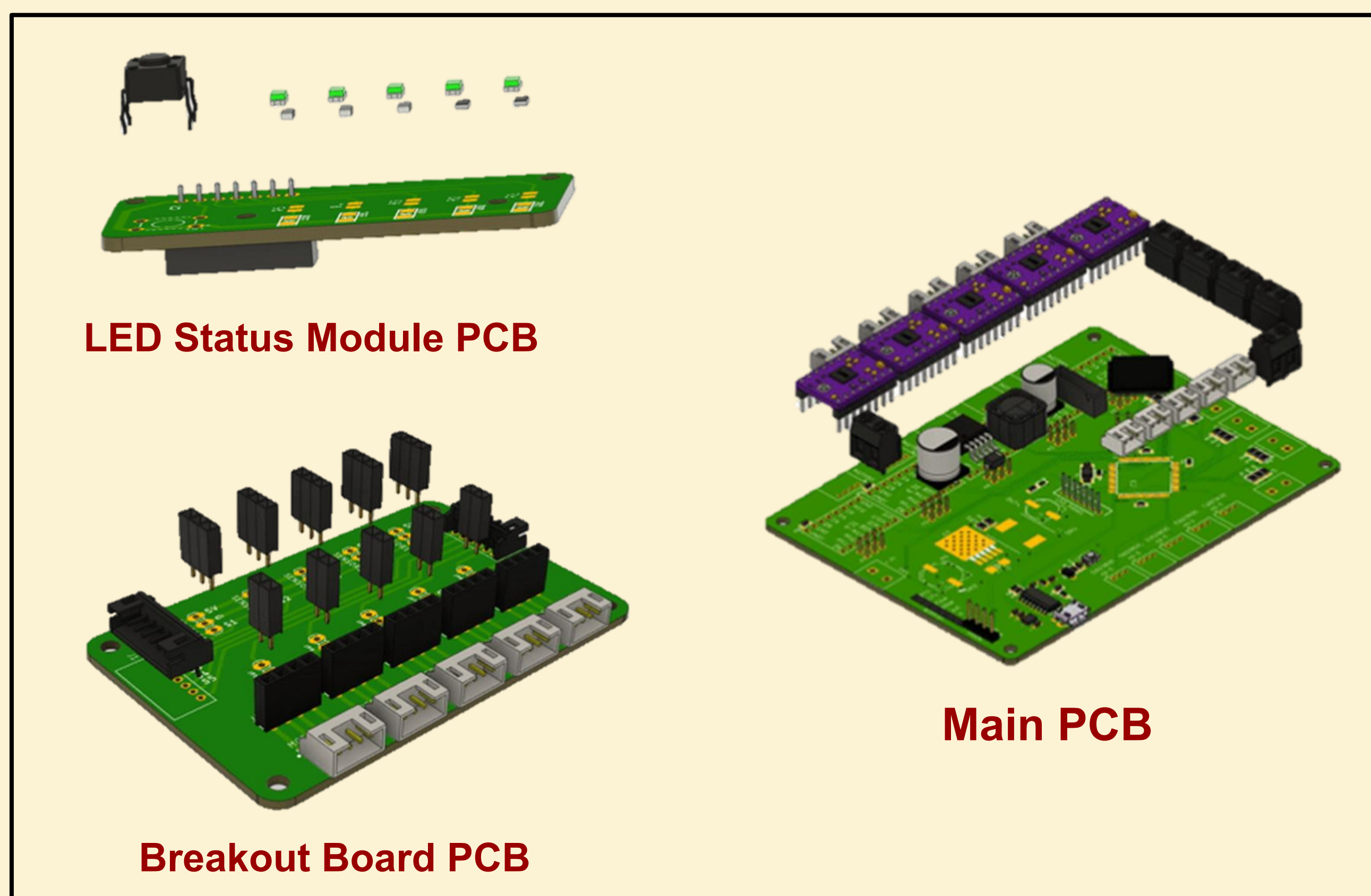
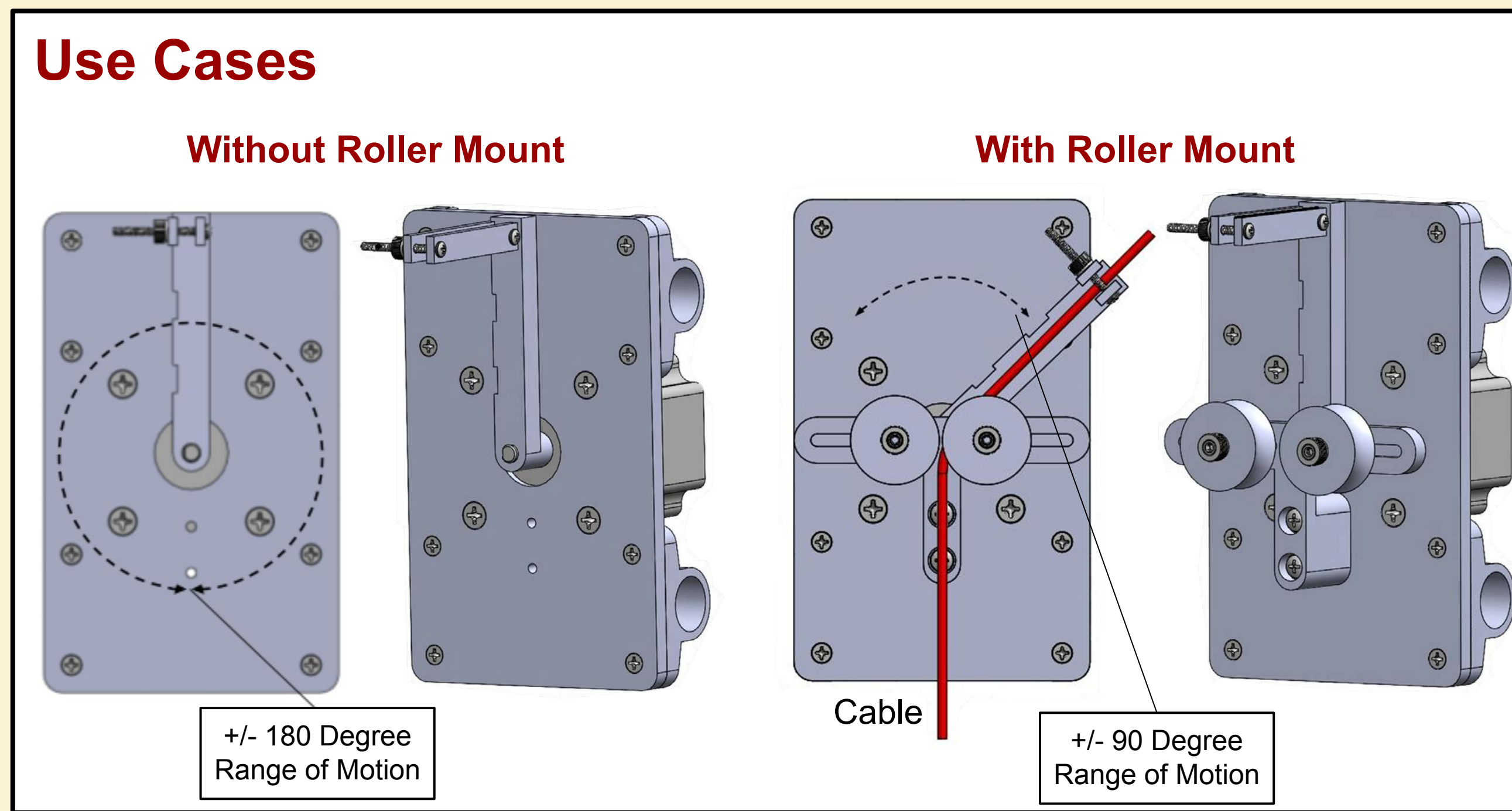
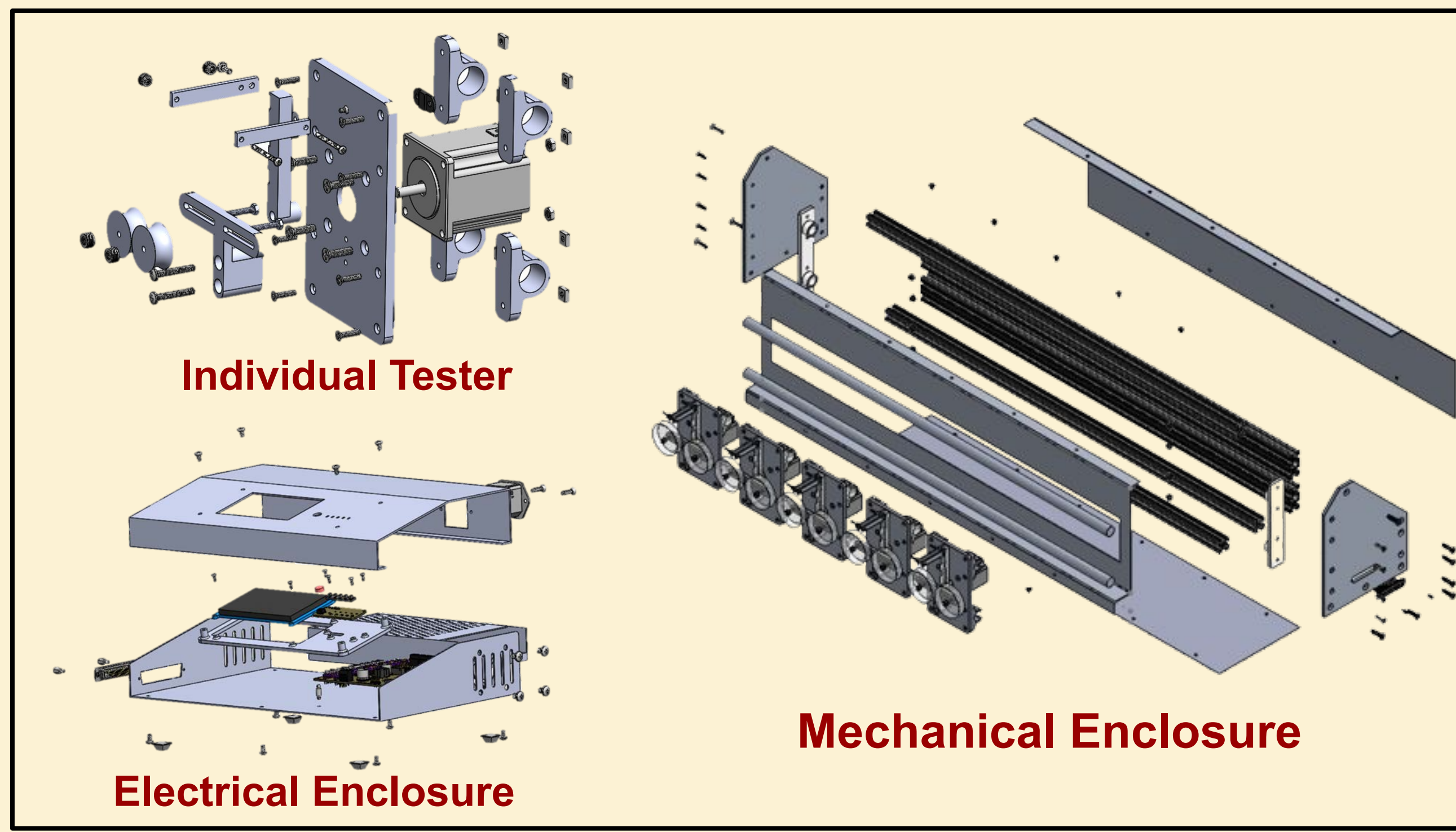
Joseph Marquez
ECE Engineer

Jeremy Minimo
ECE Design Engineer
Lead

Frank Slewa
ECE Quality Engineer

Abdulwahab Alqurtas
ECE Engineer

Alfonso Monroy
ECE Engineer

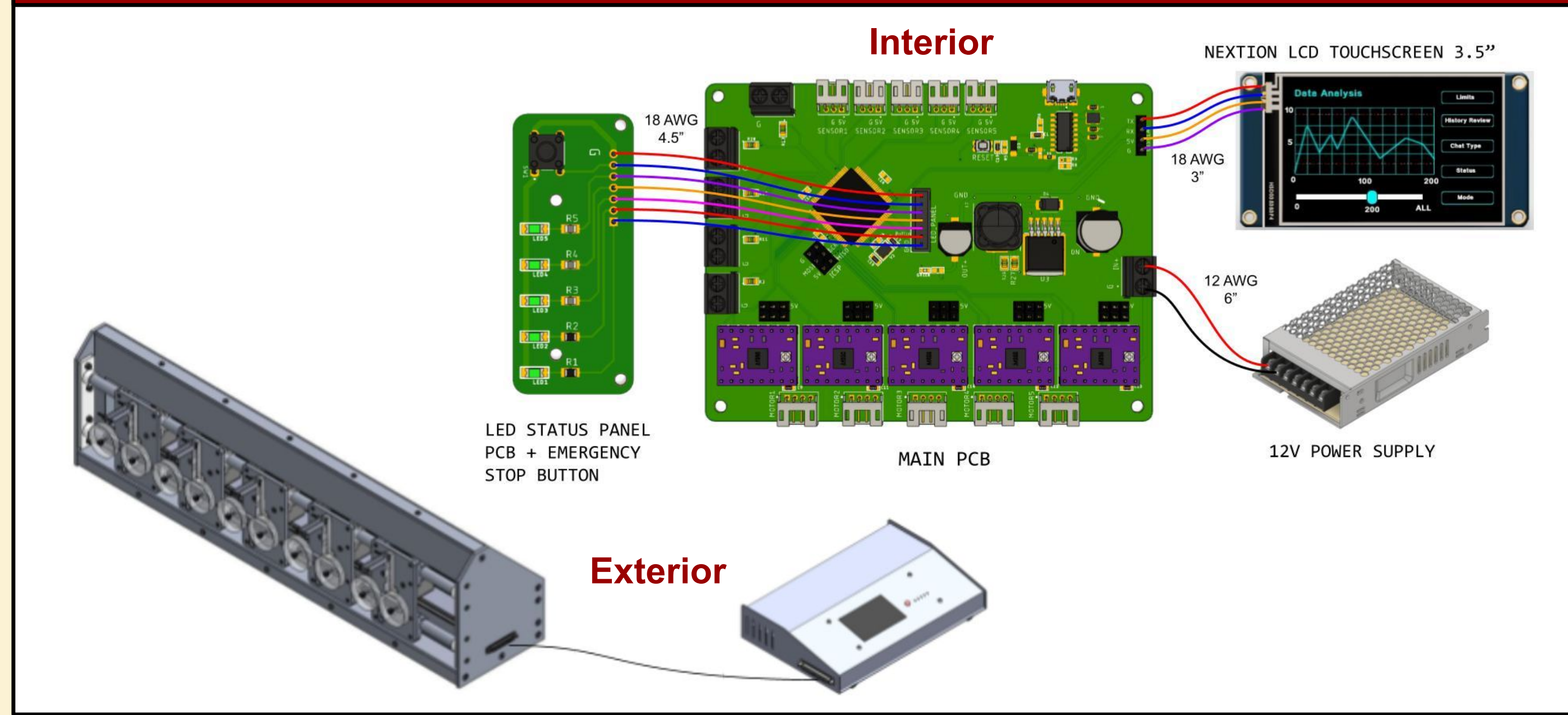


Project Overview

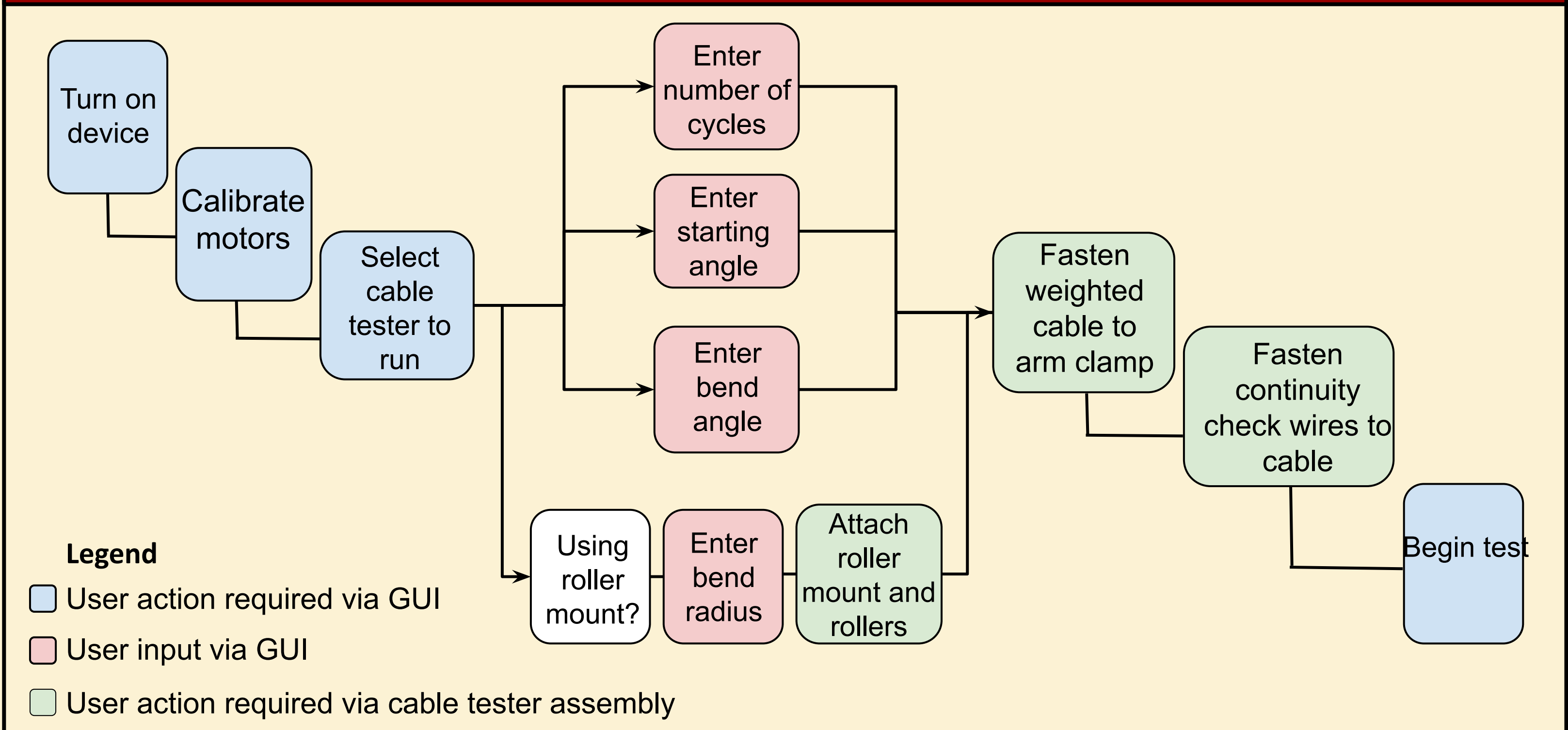
Problem: Masimo's current method for testing cables and strain reliefs takes too much time and requires a large amount of work from their technicians.

Need: Design a device that can accommodate a wide variety of multi-conductor electrical cables and strain reliefs simultaneously. This device must be able to program the number of bend cycles, the bend cycle speed, and the bend cycle start angle. This device must notify lab staff upon completion of testing or if cable break/short is detected.

System Integration



User Actions Required to Initiate Cable Test



Meet the Sponsor

Masimo: A global medical technology company headquartered in Irvine, CA that develops and manufactures noninvasive patient monitoring technologies, medical devices, and hospital and ventilation automation solutions.

Acknowledgments

The team thanks Dr. Shaffar and Professor Dorr for arranging and advising this project. In addition, the team thanks everyone at Masimo who supported this project, specifically Glenn Pohly, Desmond Mok, and Jonathan Truesdell.

Manufacturing

